

RECOMMENDED VACUUM AND PULSATION SETTINGS

	HIGH LINE	MID LINE & ROBOTS	LOW LINE
Machine vacuum	48 kPa	45 kPa	42 kPa
Pulsation ratio	60:40 - 65:35	60:40 - 65:35	60:40 - 65:35
B-Phase range	400 - 500 msec	400 - 500 msec	400 - 500 msec
D-Phase range	230 - 280 msec	230 - 280 msec	230 - 280 msec
Pulsation rate	55 - 65 bpm	55 - 65 bpm	55 - 65 bpm

AIR CONSUMPTION

	PER LINER	PER CLUSTER
Air consumption during washing	8.6 - 9.7 L/Min	34.4 - 38.8 L/Min
Air consumption during milking with 2:2 or 4:0 Pulsation	1.5 - 3.2L/Min	4 - 12.8 L/Min

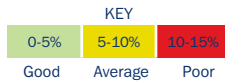
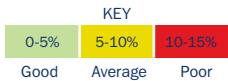
LINER MAP - TO OPTIMISE PERFORMANCE

Use the liner maps to set the optimum conditions to achieve the desired output with the best teat condition

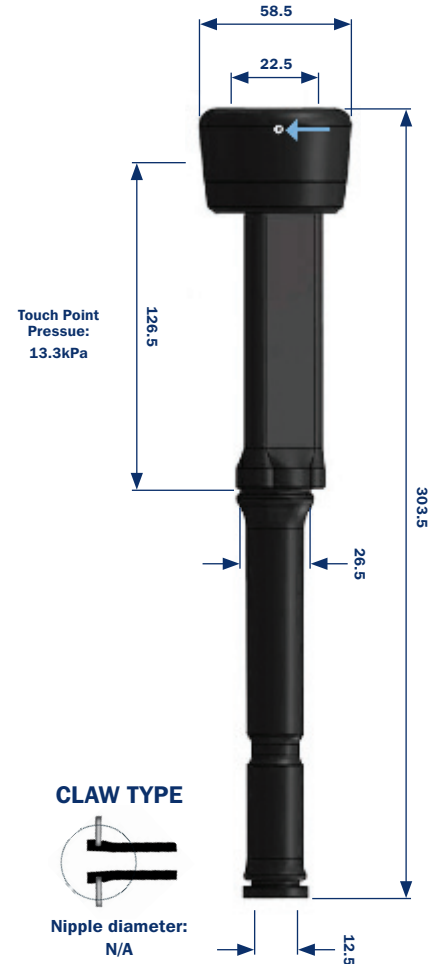
TEAT BARREL CONGESTION		TEAT END CONGESTION				
TEAT END / CLAW VACUUM		B-PHASE SETTINGS				
kPa	inHg	350ms	400ms	450ms	500ms	550ms
34	10.0	80%	80%	81%	81%	81%
36	10.5	81%	81%	82%	82%	81%
37	11.0	80%	82%	83%	83%	83%
39	11.5	81%	84%	85%	85%	86%
41	12.0	84%	87%	88%	88%	88%
42	12.5	87%	88%	89%	90%	90%
44	13.0	91%	92%	93%	93%	93%
46	13.5	92%	96%	97%	97%	98%
47	14.0	97%	98%	99%	99%	100%

Set vacuum to achieve best teat barrel condition

Numbers indicate the potential maximum peak flow able to be achieved at these conditions



Set B phase to achieve maximum output without teat end condition issues



CLAW TYPE



Nipple diameter: N/A

SHELL OPTIONS



PLASTIC WEIGHT

Plastic shell / Plastic weight option
Weights : Shell - 122g
: Plastic Weight - 17g
: Total - 139g
Total weight of liner, shell and plastic weight - 270g



STAINLESS STEEL WEIGHT

Plastic shell / Stainless steel weight option
Weights : Shell 122g
: Steel weight 126g
: Total 248g
Total weight of liner, shell and stainless steel weight - 379g

Our materials are REACH compliant



The compound used for this liner meets BfR Food Regulation XXI Category 3 for products that come into contact with food, and is approved to this standard by RAL.

The information in this document is not binding and can be changed without notice. Parlours and herds vary considerably, so these details are meant to be guidelines to operation only and not a specification. It remains the responsibility of the operator to ensure the correct working of the plant and the health of the animal.

Milkrite liners are warranted to last a minimum of 2500 milkings or six months when used in accordance with our instructions and those of the parlour manufacturer

Hampton Park West, Semington Road, Melksham, Wiltshire SN12 6NB, UK **Tel:** +44(0) 1225 896336 **Fax:** +44(0) 1225 896307

www.milkrite.com